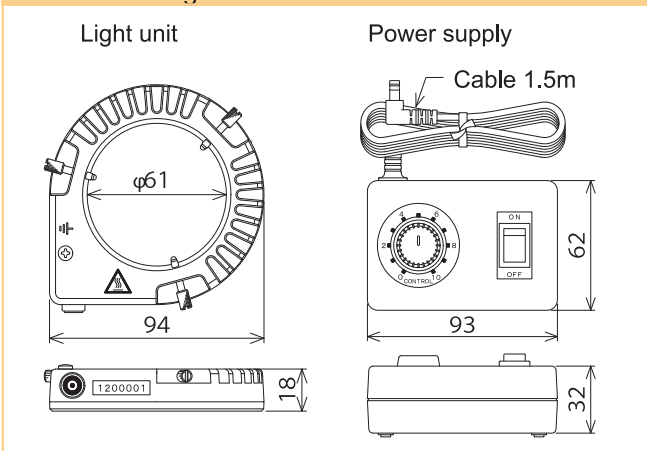


# FP-LED LED Ring illuminator

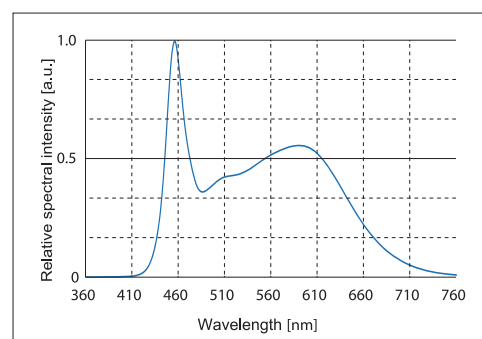
## Features

- High color rendering LED light chips used
- Compatible with most microscope brands
- Uniform illumination similar to fluorescent light
- Advanced design offering compact size. Good heat dissipation
- ESD protected LED, ideal for clean room environment

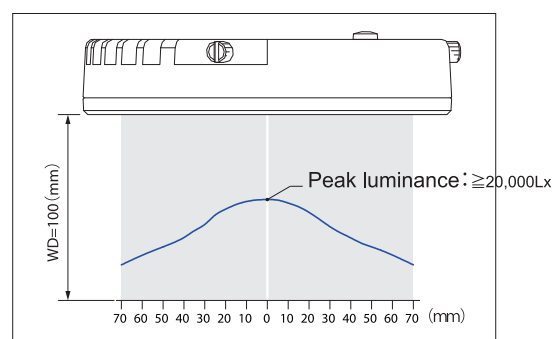
## Outline Drawing



## Spectrum Distribution

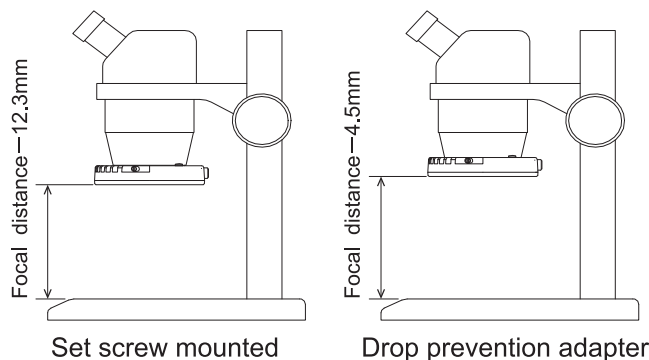


## Light Distribution



## Mounting Method

\*Drop prevention adapter is recommended



## Light Unit Specifications

Model	FP-LED
Color	White
Luminance	>20,000lx (WD@100mm) *1
AC Adapter	Power Supply: AC 100-240V 50/60Hz Output Voltage: DC12V 0.5A
Color rendering	Ra. 85(Typ.) *2
Color temperature	5,000K(Typ.) *3
Input power rating	DC 10.5V, 0.65A
LED lifespan	25,000 (H) *4
Dimensions	W94xD94xH18mm (Extruded areas not included)
Weight	140g

## Power Supply Specifications

Model	LP-108
Input power rating	AC100V-240V, 50/60Hz
Light intensity adjustment	0-100%
LED lifetime	30,000 (H)
Dimensions	W93xD62xH32mm (Extruded areas not included)
Weight	150g
Compliant standards	UL, CE, PSE, CCC, RCM, GS

1. Reference value for LED when mounted to microscope
2. Ra and color temperature are reference values only
3. LED lifespan varies based on usage environment

\*Accessories (sold separately): Drop prevention adapter/protection cover  
Power cord options: UK type (AC240V), European type (AC230V)