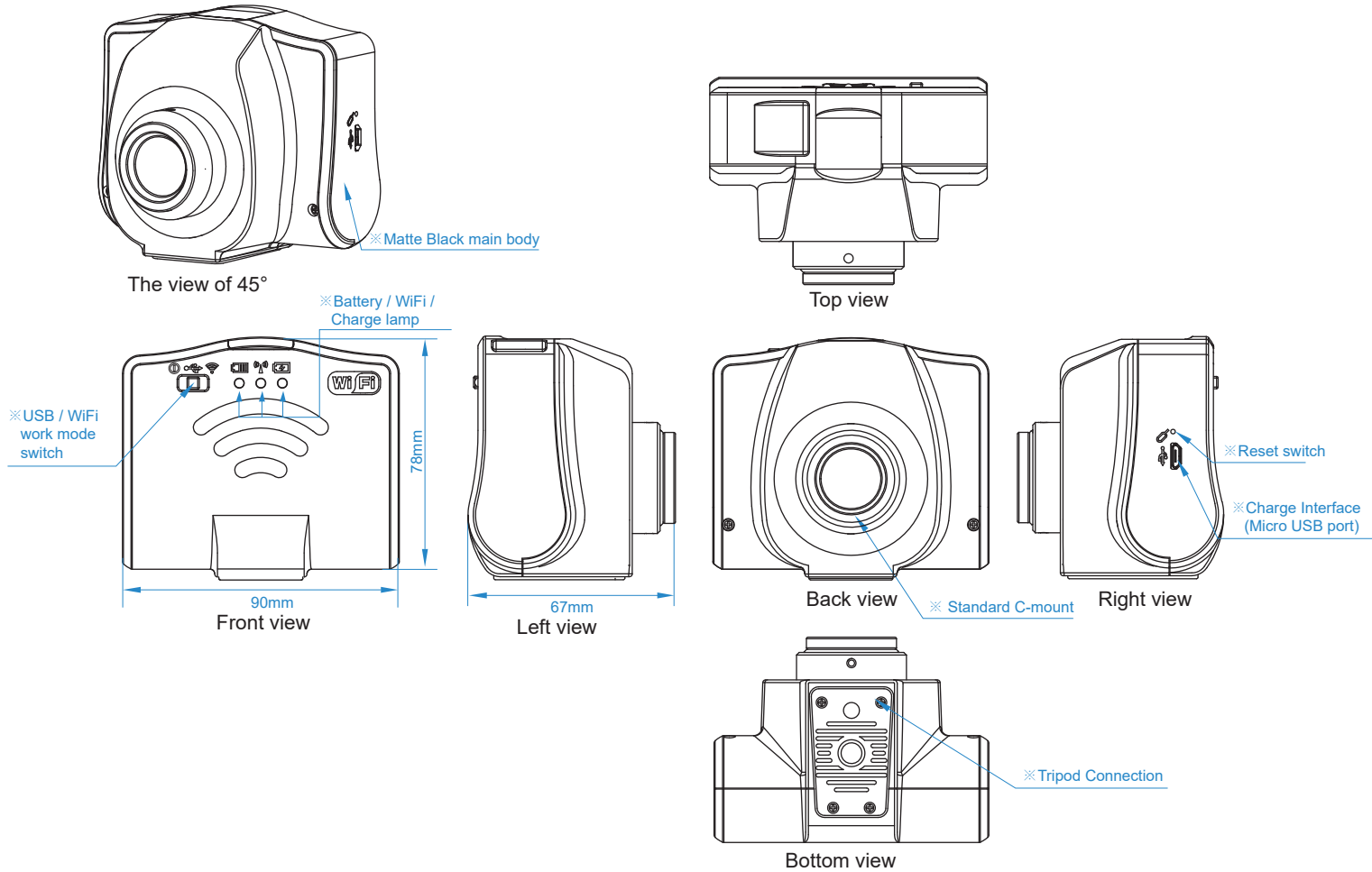


WF200 Specification

1.) The size and the weight of main body



(Body net weight about 250g)

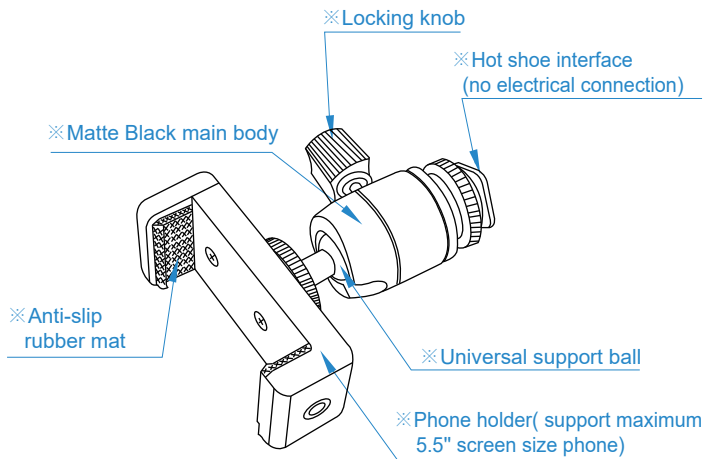
2.) Electrical Property

Hardware configuration	
Image Sensor	APTINA MT9P001 CMOS(colorful)
Scan Mode	Scan line by line
Maximum Resolution	2592 x 1944 (5,038,848 pixels)
Sensor Optical Format	1/2.5" (5.70mm(H) x 4.28mm(V), Diagonal 7.13mm)
Pixel Size	2.2μm x 2.2μm
Dynamic Range	70.1dB
ADC	12-bit, 8-Bit R.G.B to PC
SNR (Signal Noise Ratio)	38.1dB
Spectral Characteristics	380-650nm (during daytime mode)
Maximum Transmission Frame Rate (USB mode)	10FPS@2592x1944 15FPS@1920x1080,1600x1200 40FPS@1280x960, 1280x720, 1024x768, 800x600, 640x480
Maximum Transmission Frame Rate (WiFi mode)	10FPS@2592x1944 15FPS@1920x1080,1600x1200 40FPS@1280x960, 1280x720, 1024x768, 800x600, 640x480
Binning Modes	1 x 1, 2 x 2
Exposure Capability	3.9ms - 320ms, Automatic and manual
White Balance	Automatic and manual
Software Interface	DirectShow
Capture Modes	Picture Resolution: 2592x1944, 1920x1080, 1600x1200, 1280x960, 1280x720, 1024x768, 800x600, 640x480 Format: JPG,BMP,PNG,TIFF,PDF Video Resolution: 1920x1080, 1600x1200, 1280x960, 1280x720, 1024x768, 800x600, 640x480 Format: MJPG format AVI file

Interface Parameter	
Wired picture / Charger interface	Micro USB interface USB2.0 DC5.0V 500mA (wired picture) USB 2.0 DC5.0V 2A (when charging power)
Tripod connection	1/4-20 A tripod connection
Camera Interface	C Port, and it can customize other ports
Wireless Parameter/Power Parameter	
Standard	802.11b/g/n
Operating Frequency Range	2.400 ~ 2.4835GHz
Available Channels	802.11n 20MHz/40MHz
	802.11b/g
	USA, Canada (FCC):11 channels (2.412GHz~2.462GHz)
	Europe (CE): 13 channels (2.412GHz~2.472GHz)
Data Rate	Japan (TELEC): 14 channels (2.412GHz~2.4835GHz)
	802.11n: up to 300Mbps 2T2R
	802.11b: up to 11Mbps
Transmission Power	802.11g: up to 54Mbps
	11n HT40 MCS7 : +16dBm +/-1.5dBm
Receiving Sensitivity	-61 dBm@10% PER at HT40 MCS7
	-68 dBm@10% PER at 54Mbps
	-85 dBm@10% PER at 11Mbps
Suggestion on number of receiver on different resolution	10@640x480
	8@800x600
	6@1024x768
	5@1280x720
	5@1280x960
	4@1920x1080
	3@2592x1944
The Wireless work instructions	When there has not WiFi , LED lamp turn off
	When WiFi is opened but do not connect , LED is always lighting
	When WiFi is connected, LED flashes at the beginning and stay turn on afterward
	When WiFi is connected , LED flashes , about once per second , The greater the amount of data the faster it flashes, and it is about 10 times per second
Build in battery	3.7V, 5000mAh , 26650 rechargeable lithium coin cells
Continuous working period	About 8 hours
Charging time	About 4 hours
Charge lamp,(internal battery)	Having problems in charging : charge lamp , red light flashes once per 0.5 second
	Low battery : charge lamp , green light breathes once per 1 second
	Medium battery : charge lamp , green light breathes once per 2.5 seconds
	High battery : charge lamp , green light breathes once per 4seconds
	Fully charged : charge lamp , there will be always green light
Power lamp,(internal battery)	When power quantity more than 20% : power lamp , there will be always green light
	When power quantity lower than 20% : power lamp , there will be always red light
	When power quantity lower than 5% : power lamp , it will turn off after flashing three times
Charge Cycle	500 times @50% power
Power-up	Wired : direct-current 5V , power by USB cable
	Wireless: internal battery
	Charge power: DC 5V 2A power plug
Software Environment	
USB work mode	
Windows system demand	Microsoft® Windows® XP / 7 / 8 / 8.1/10(32 & 64 bit)
	CPU: equal or more than the second generation Intel core 2.8GHz
	Memory: 2G or more
	DVD-ROM (Need it during installing software)
WiFi work mode	
Windows system demand	Microsoft® Windows® XP / 7 / 8 / 8.1/10(32 & 64 bit)
	CPU: equal or more than the second generation Intel core 2.8GHz
	Memory: 2G or more
	Internal wireless network card
iOS System Demand	iOS6.0 or higher

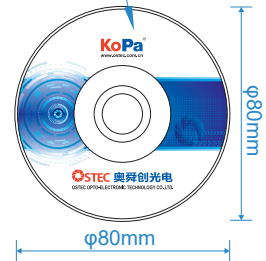
Android system demand	Android3.0 or higher
	CPU: dual-core 1.7GHz or higher
	RAM memory : 1G or more
	Storage ROM : suggest 8G or larger
Operating Environment	
Operating temperature	0°C~ 40°C
Storage temperature	-20°C~ 60°C
Operating Humidity	30~80%RH
Storage Humidity	10~60%RH

3.) Accessories

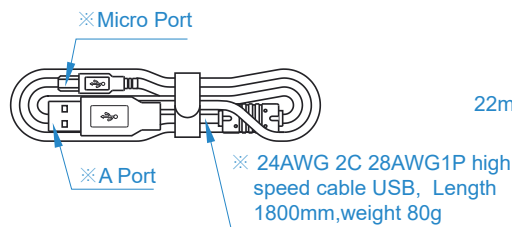


Yuntab

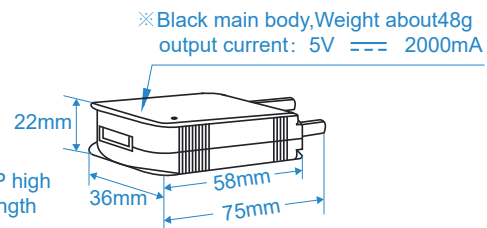
PC Software :
 KoPa Capture above Ver6.0
 Android software :
 KoPa Vision Pro
 Operating instruction



DVD Disk

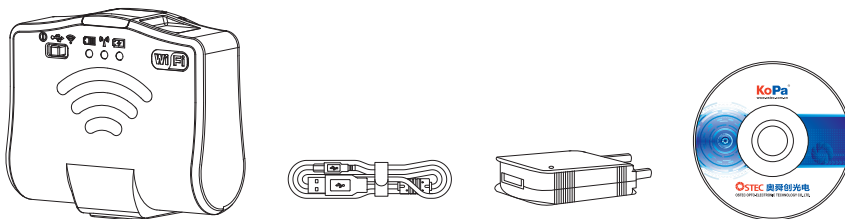


Cable USB



Adapter

4.) Standard Configuration



5895 Rue Ferrari San Jose, CA 95138
 1 (800) 832-0060 | Fax: (408) 226-0900
 www.meijitechno.com